



INGRESSI AUTOMATICI
AUTOMATIC ENTRANCE

SESAMO s.r.l.
Str. Gabannone, 8/10
15030 Terruggia – AL – ITALY
Tel: +39 0142 403223
Fax: +39 0142 403256
www.sesamo.eu
E-mail: info@sesamo.eu



SESAMO REVOLVING DOOR 3 WING



SYSTEM:

Three – leaf automatic or manual revolving door which is available in various design options.

Executions with night shutters in manual or automatic version, with electric or mechanical locks, push bars in different variations or specific glass requirements can be realized .

Every 3-leaf automatic revolving door provides a very comfortable 120° wide compartment for any user and person.

The canopy structure is made of a solid and strong steel structure including thermal insulation and clad in aluminum plates along the pelmet and closed with a standard dust cover. The ceiling underside is closed with segmented aluminum plates that provide a solid and perfect flush view.

Highly engineered and reliable drive components ensure a smooth and safe operation at all times.

- Three – leaf revolving doors provide comfort and ideal for office buildings, airports, train-stations, hospitals, shopping centers, hotels and many more
- 120° three leaf turnstile that provides comfortable space to walk through
- Ground position provides high seal and reduces wind draft into building
- Climate control (temperature, air condition wind-drafts) which reduces costs
- Flexible design options provide totally customized solutions for any entrance
- Full glass option available for incredible transparency mainly for glass facades

SESAMO, IMPROVE YOUR LIFE



**INGRESSI AUTOMATICI
AUTOMATIC ENTRANCE**

SESAMO s.r.l.
Str. Gabannone, 8/10
15030 Terruggia – AL – ITALY
Tel: +39 0142 403223
Fax: +39 0142 403256
www.sesamo.eu
E-mail: info@sesamo.eu

کیادر
فناوری دریهای اتوماتیک



INSIDE Diameter "U" (drum wall)		
Minimum diameter	1500 mm	approx. 5'
Maximum diameter	7000 mm	approx. 23'
OUTSIDE Diameter "Q" (canopy pelmet)		
Diameter inside + 58mm (≈ 2 - 2/8") = outside diameter		

Entrance Opening "A" (between cylinder walls)	
Please calculate with underneath formula: Diameter "Q" x 0,5 - 130 = passage width in mm	

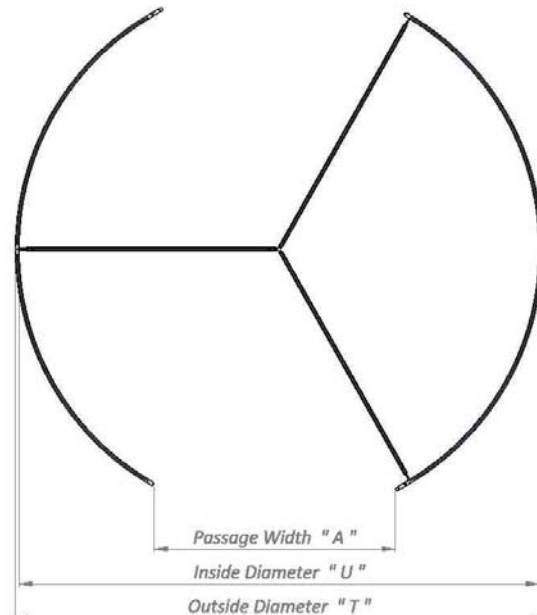
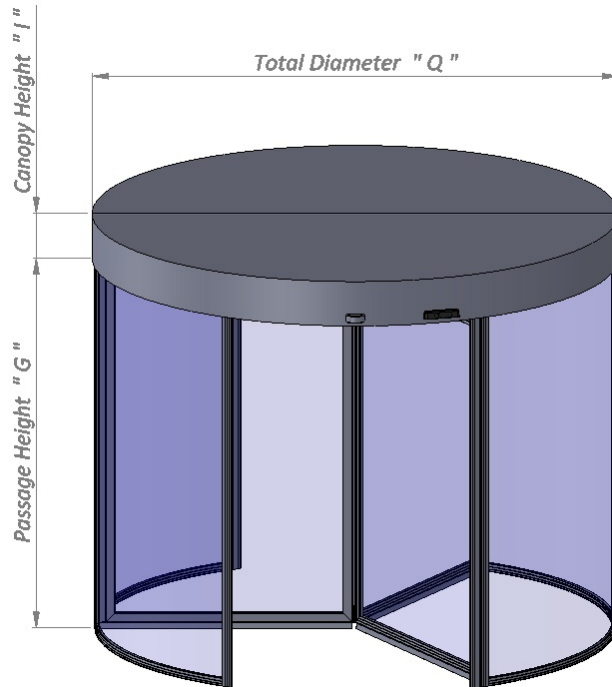
Passage Height "G"		
Minimal	2100 mm	approx. 6' - 11''
Maximal	3000 mm	approx. 9' - 10''

Canopy Height "T"			
Minimal	250 mm	≈ 10''	< Ø 3500 mm
Minimal	350 mm	≈ 14''	> Ø 3500 mm
Minimal	400 mm	≈ 16''	> Ø 4800 mm
Minimal	500 mm	≈ 20''	> Ø 6000 mm
Additional	+ 300 mm	+ 12''	with air curtain

Throughput Capacity (based on bi-directional use)			
2500 mm	3000 mm	3500 mm	4000 mm
≈ 8' - 2''	≈ 10''	≈ 11'' - 6''	≈ 13' - 2''
1800 p/h	2025 p/h	2205 p/h	2232 p/h

Above capacity is based on theoretical calculation with maximum occupancy of persons per segment per hour in both directions (without engagement).

Door Speed in U/min (rpm's) *	
For diameter < 2500 mm	Adjustable, max. 5,8 U/min
For diameter < 3500 mm	Adjustable, max. 4,2 U/min
For diameter < 4800 mm	Adjustable, max. 3,2 U/min



SESAMO, IMPROVE YOUR LIFE

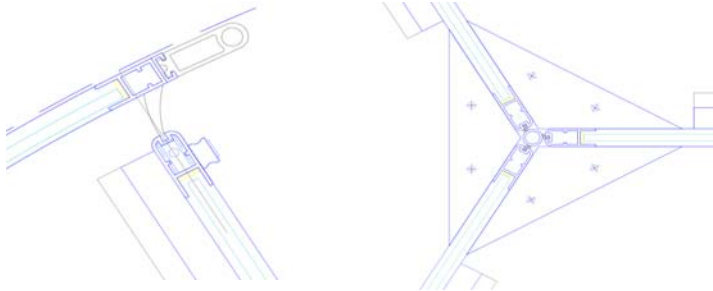


**INGRESSI AUTOMATICI
AUTOMATIC ENTRANCE**

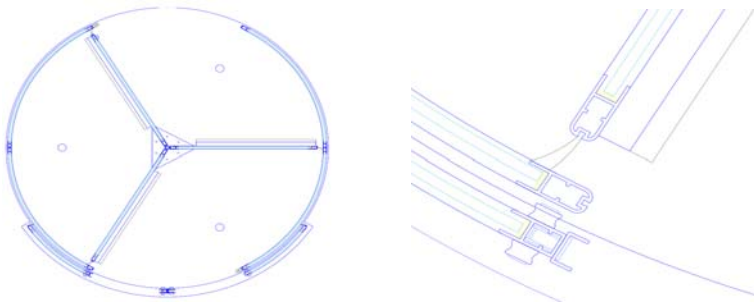
SESAMO s.r.l.
Str. Gabannone, 8/10
15030 Terruggia – AL – ITALY
Tel: +39 0142 403223
Fax: +39 0142 403256
www.sesamo.eu
E-mail: info@sesamo.eu



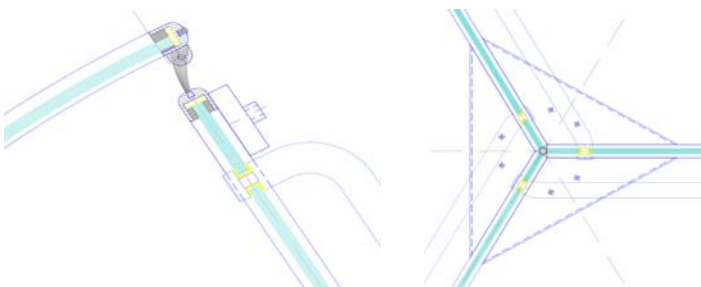
DESIGN FEATURES:



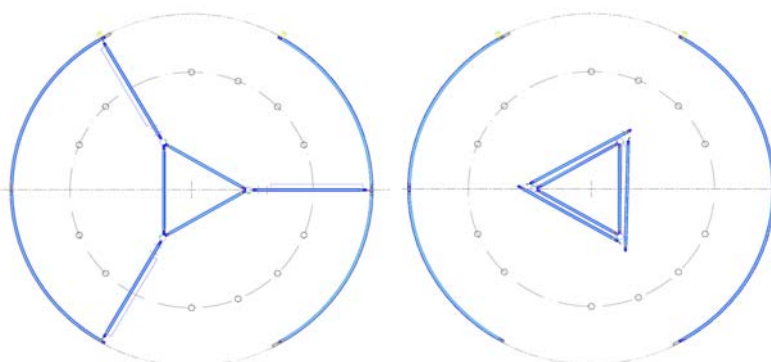
- basic design with slim 26mm x 65mm profiles for automatic and manual revolving doors
- robust and self supporting steel or aluminium structure
- natural horse-hair brush seals
- wet glazing (silicone) that provides a high durability



- night-shutter available in manual or automatic version
- outside or inside of cylinder walls (drum) possible
- in glass or panel construction
- with full or half profile cylinder lock available
- keeps entrance clean at night and provides higher security



- vitro design for manual revolving doors
- super slim profiles with 26mm x 27mm
- horizontal stainless steel handles for stability
- middle of turnstile without any profiles



- middle show-case (display) for larger revolving doors with lockable accessible leaf
- straight, concave- or convex-curved show case executions possible
- allows the handling of large goods through the door and supports escape routes as all leaves are collapsible

SESAMO, IMPROVE YOUR LIFE

